



UPGRADE

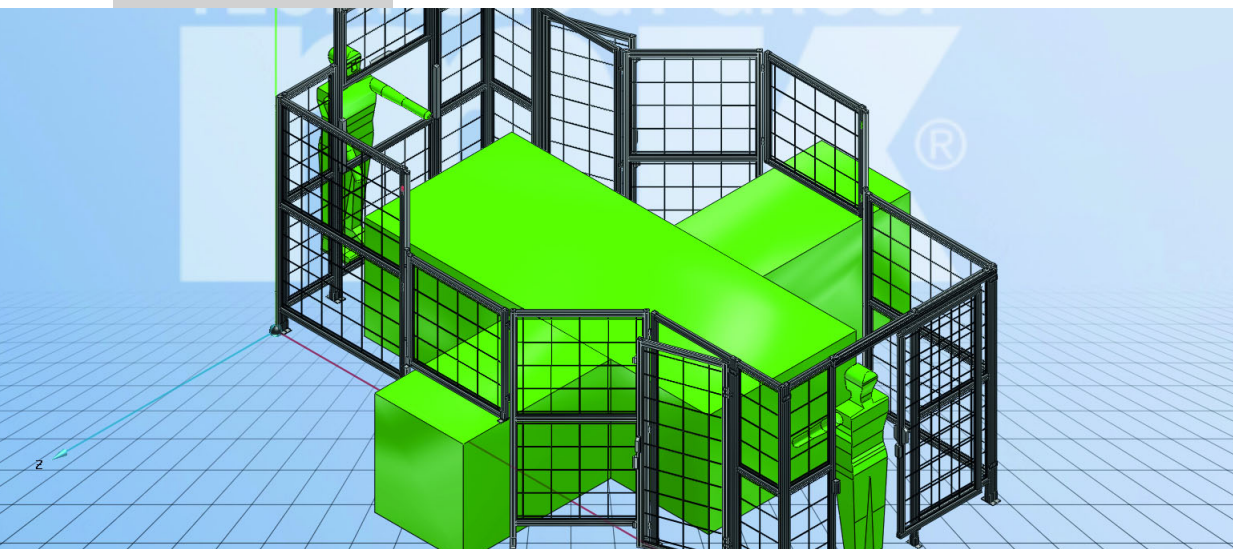


Planning  
made easy –

*with the 3D configurator  
mk QuickDesigner*

# mk QuickDesigner

*Quick and easy guarding design*



## *3D guarding configurator incl. CAD library*

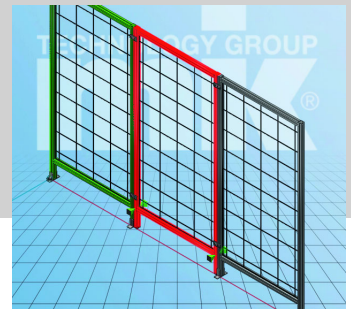
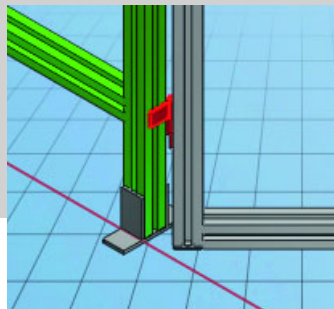
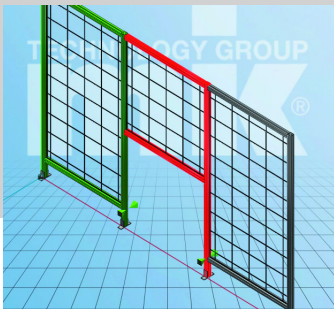
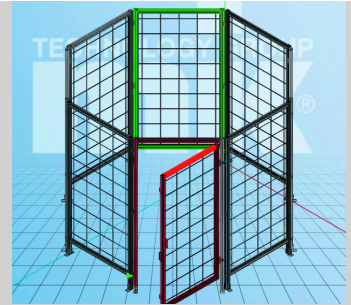
Use the mk QuickDesigner to quickly and easily design individual distance guardings without a CAD system or CAD knowledge. You can reduce the processing time by up to 80% by using the configurator. Generate the request or order documents with the click of a mouse; thus eliminating a double entry.

With the upgrade, we have expanded the range of functions of mk QuickDesigner even further. It is now possible to shape variable angles from 0° to 135°. In addition, fields with full or half floor mounting brackets can be manually combined and can also have only end caps, as an additional option. The detailed manual explains how the configurator works, step-by-step.

The CAD parts library included in the software package has all articles from our Profile Technology catalog and parts for conveyor and linear technology, as well as factory equipment, in the original format (STEP, IGES, DXF, DWG). Our CAD data is also available at [www.mk-group.com](http://www.mk-group.com) for direct download, via email or DirectToCad to your CAD system in all common native formats.

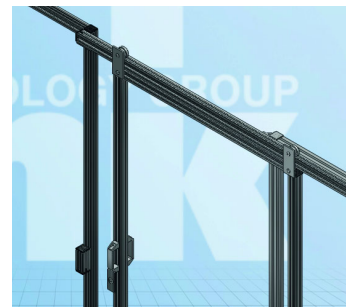
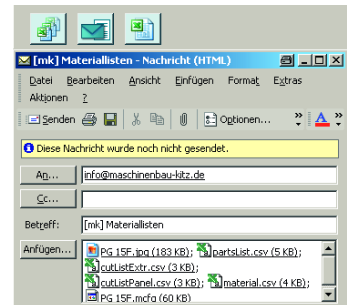
## Upgrade functions

- Variable angles in combination with posts and fields for angle ranges from 0° to 135°
- Automated control of the floor mounting brackets
- Full or half floor mounting brackets and end caps can be manually selected and combined
- Post-panel method: Optional end caps allow for quick disassembly by straight connecting plates
- Update of the design and development status for models, parts lists and component limits



## Functions and advantages of the mk QuickDesigner

- Reduction in development and engineering time
- Large selection of paneling and door variants
- Reduced costs by the use of standardized components
- No CAD system or CAD knowledge required
- Design with intuitive user guidance in three dimensions
- Automatic assembly of 2D layouts with matching 3D fields
- Option to import DXF layouts
- Export of 3D drawings in IGES, STEP and JPEG format
- Automatic generation of individual part and assembly BOMs, saw lists and weight estimates
- Direct replacement, examination and modification via email
- Degree of assembly freely selectable (raw material, assemblies, turnkey)





**Maschinenbau Kitz GmbH**  
**Headquarters of the**  
**mk Technology Group**

Glockenstraße 84  
53844 Troisdorf  
Germany

Phone +49 228 4598-0  
Fax +49 228 453145

[www.mk-group.com](http://www.mk-group.com)  
[info@mk-group.com](mailto:info@mk-group.com)