

Tension Plugs S

The Tension plug S creates quick, strong and easy aluminum profile structures with no obstructing edges. The ribbing on the contact surface ensures that the connections are conductive (ESD). One T-slot remains completely open, allowing panelling to be inserted into the slot. The Tension plug S was specially developed to connect mk Series 40 aluminium profiles on the face side. The connector requires little installation work, as only one central bore is required.

Material: Galvanised steel



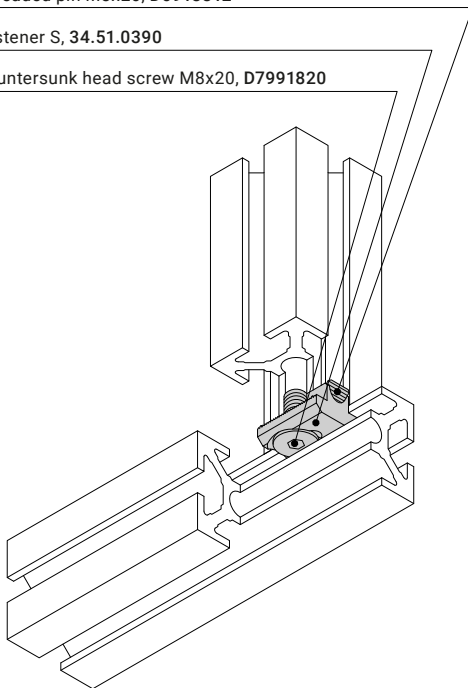
End services see profile technology catalogue on page 16

Fastening example

Threaded pin M8x20, D0913812

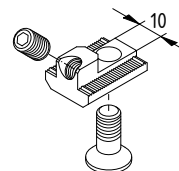
Fastener S, 34.51.0390

Countersunk head screw M8x20, D7991820



25 40 50 60

M8x20



Tension plug S
B51.03.090*

see also assembly instructions



*Set with fastening accessories threaded pin and countersunk head screw